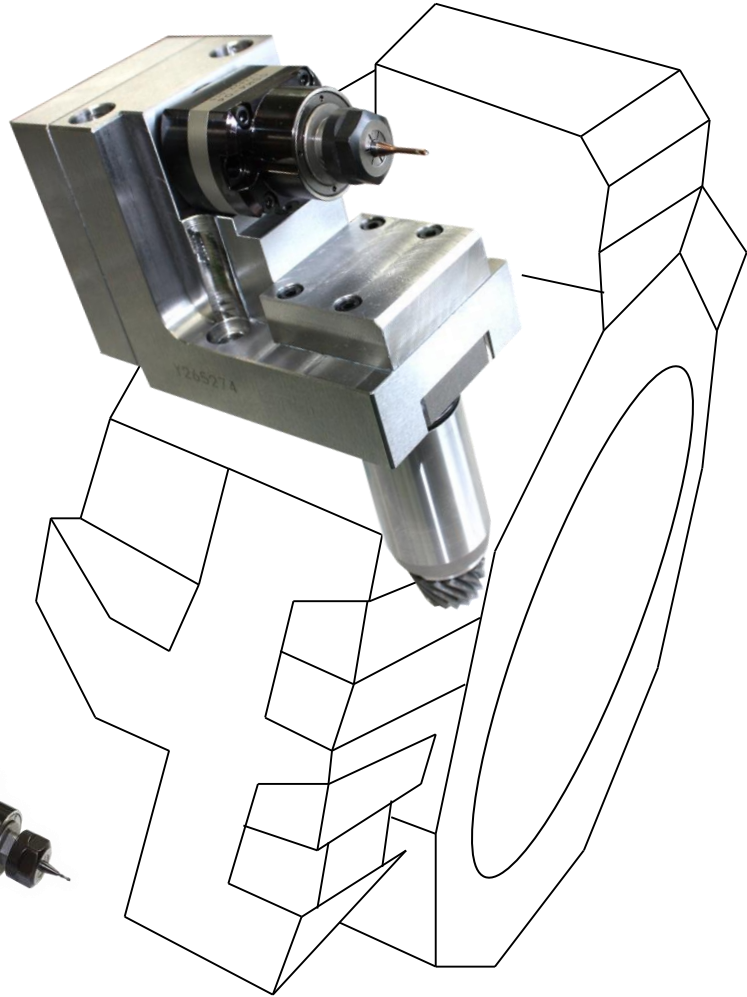


CITIZEN
CNC Compatible

It enables high-speed machining on both front and back cutting with the M20/M32 turret.

Use of front and back rotary tools on M series is possible with this brand new holder. By attaching this holder and IB-SPINDLE, you can run rotary tools 4 times faster. Quality and capability of small diameter drilling and milling operations is easily increased.



Y265274

※Please purchase the holder from Citizen Machinery Ltd.


CSM4-04


Dramatical change promised.


※ We reserve the right to make modifications without notice to improve the performance of our products.
※ ER collet not included.
※ Please refer to instructions on manual when using this devise.


[Manufacturer]

SUZUKI PRECION CO.,LTD.

 (81)289-65-6001

 (81)289-62-8084

 webmaster@precion.co.jp

 [SUZUKI SPEEDER SPINDLE](#)

113-2 Nojiri, Kanuma City, Tochigi, 322-0251 Japan



CNC 4X Mechanical RPM Multiplier Spindle

IB · SPINDLE